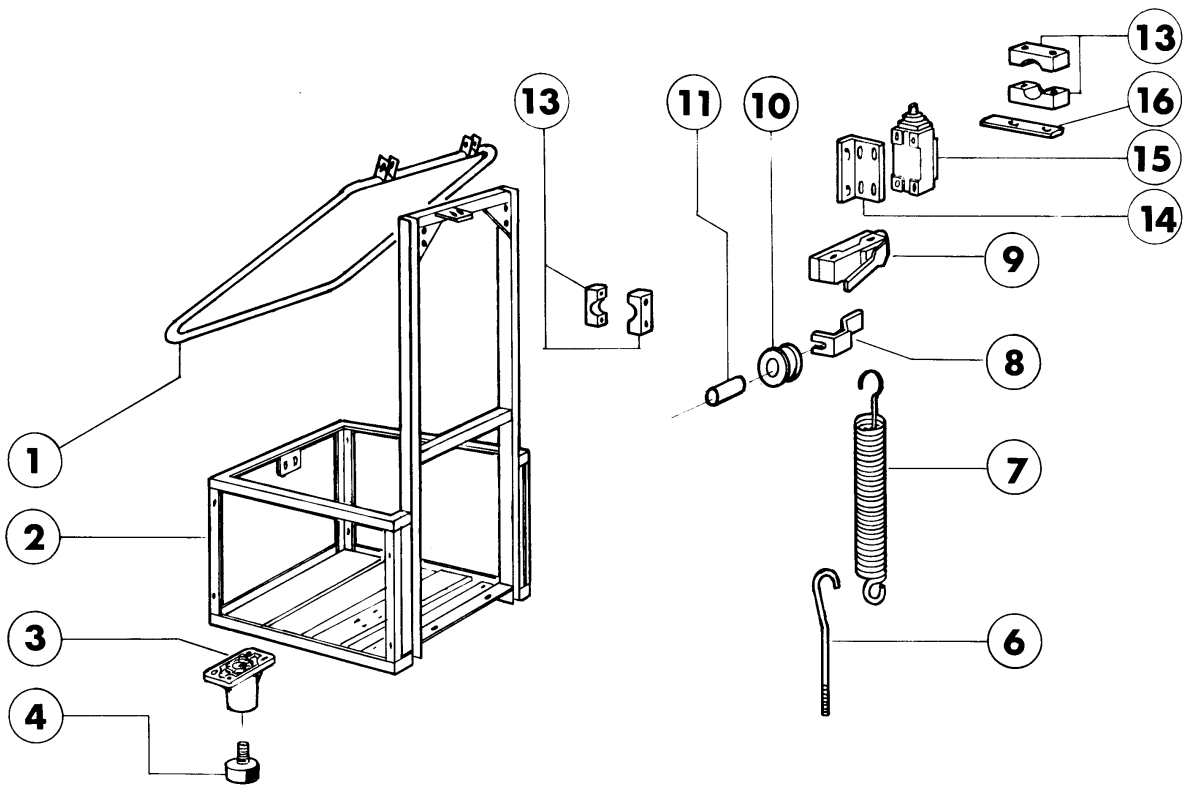


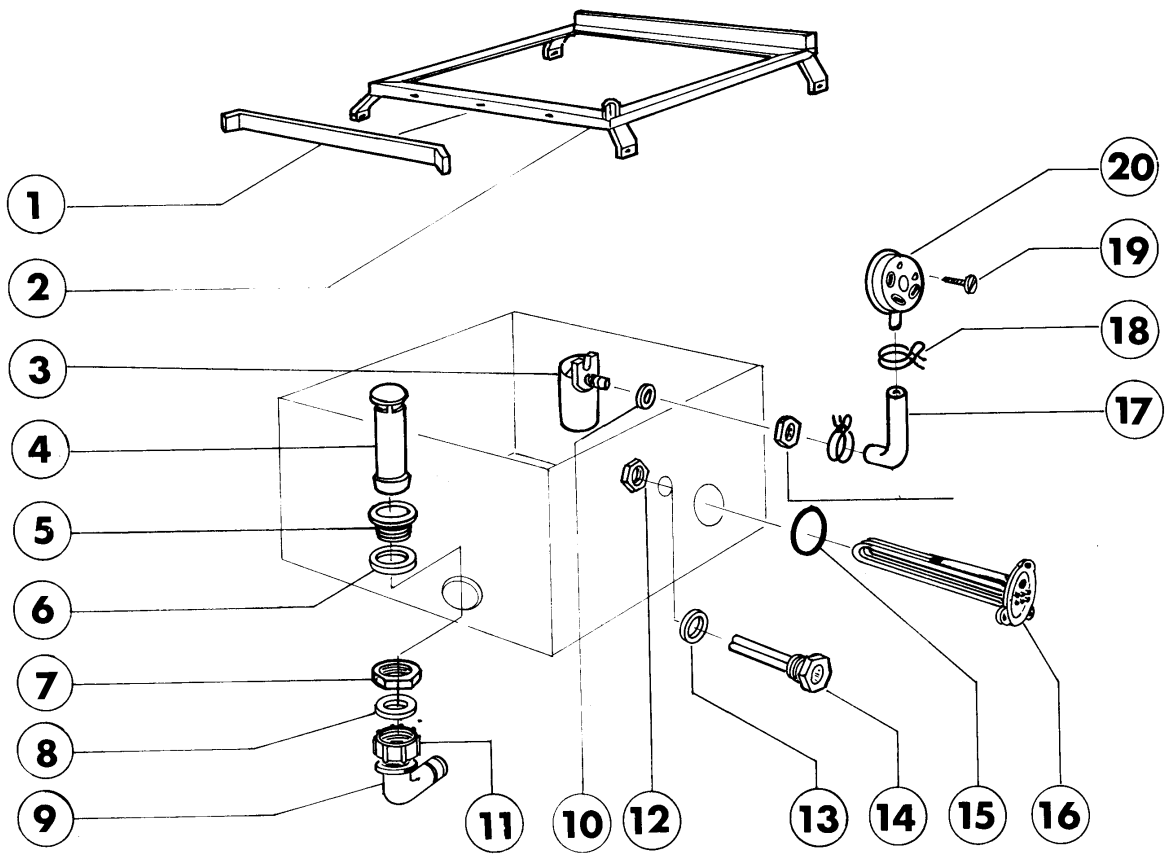
2 - Hood

CODE	DESCRIPTION
110130	WIRING FOR C34 2Ø
110134	WIRING FOR C34 STEAM
180604	GUIDE F. HOOD C33-34 GRAY
190608	GUIDE
200432	SPONGY RUBBER ADHESIV 8X4 NEOP
260223	M5X12 MSH/HD SCREW SPECIAL S/S
340142	HOOD C34 II
340312	-SCHIENALE C34 II
340851	TANK
350171	FRONT PANEL C34 2...
350264	RIGHT PANEL C34 2...
350265	LEFT PANEL C33-34 2...



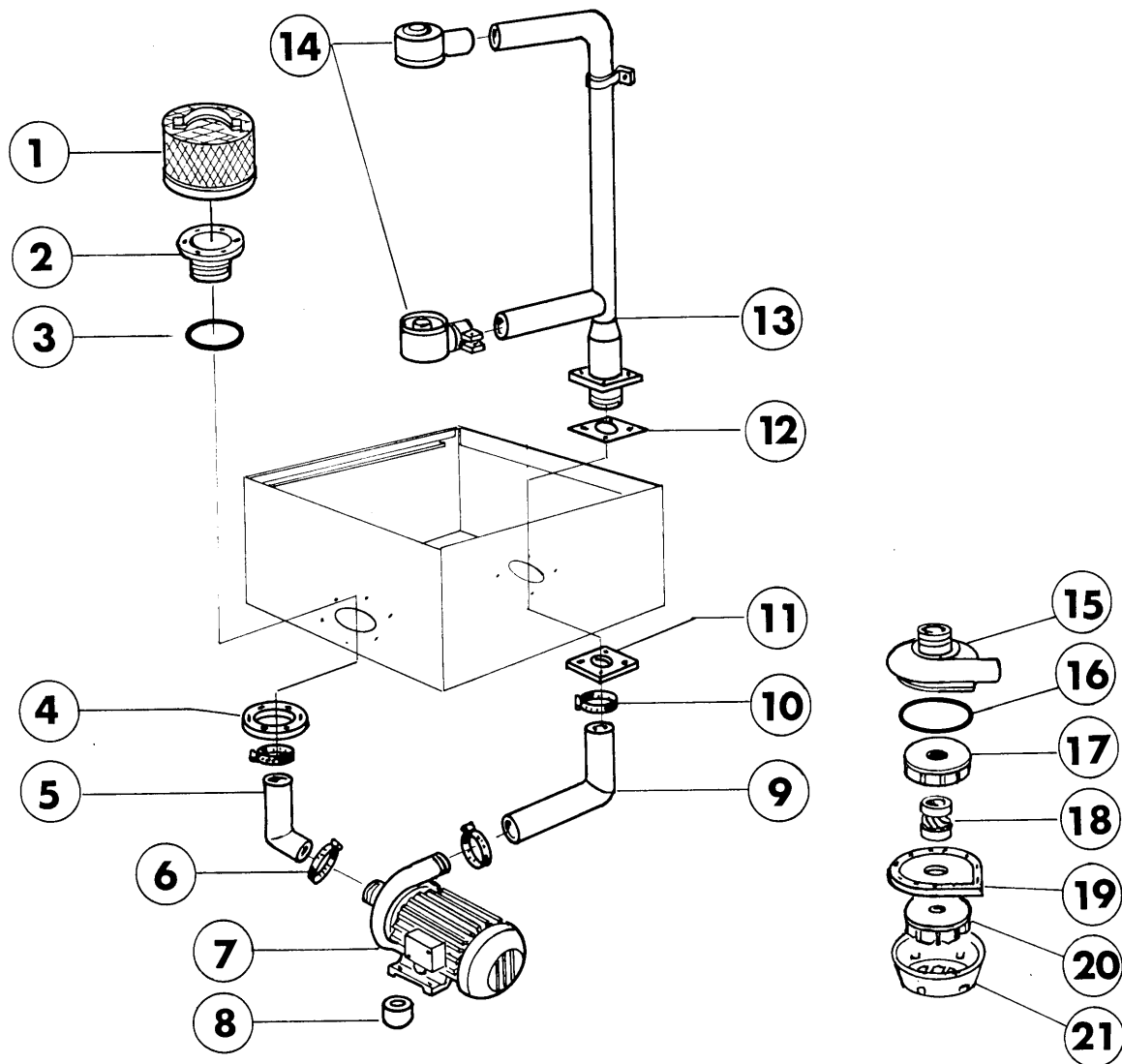
3 - Handle

CODE	DESCRIPTION
120319	MICRO SWITCH OMR.C34
120322	TRAY WASHER LIMIT SWITCH
160509	FOOT SUPPORT
190616	DOOR SPRING ROLLER C34 HOST
210203	RUBBER FOOT 30 MM
320644	BRACKET
330207	LOWER TIE ROD SPRING C34
330816	BUSHING DOOR HING.F2-45-5 STAI
331007	HANDLE C34 II
350742	BRACKET FOR MICRO HOOD C34-C14
390272	-TELAIO C34 II -ESATURITO-
391313	SPRING F.DOOR LEVER C34
440703	BLOCK F. MICROSWITCH C34 D23



4 - Tank

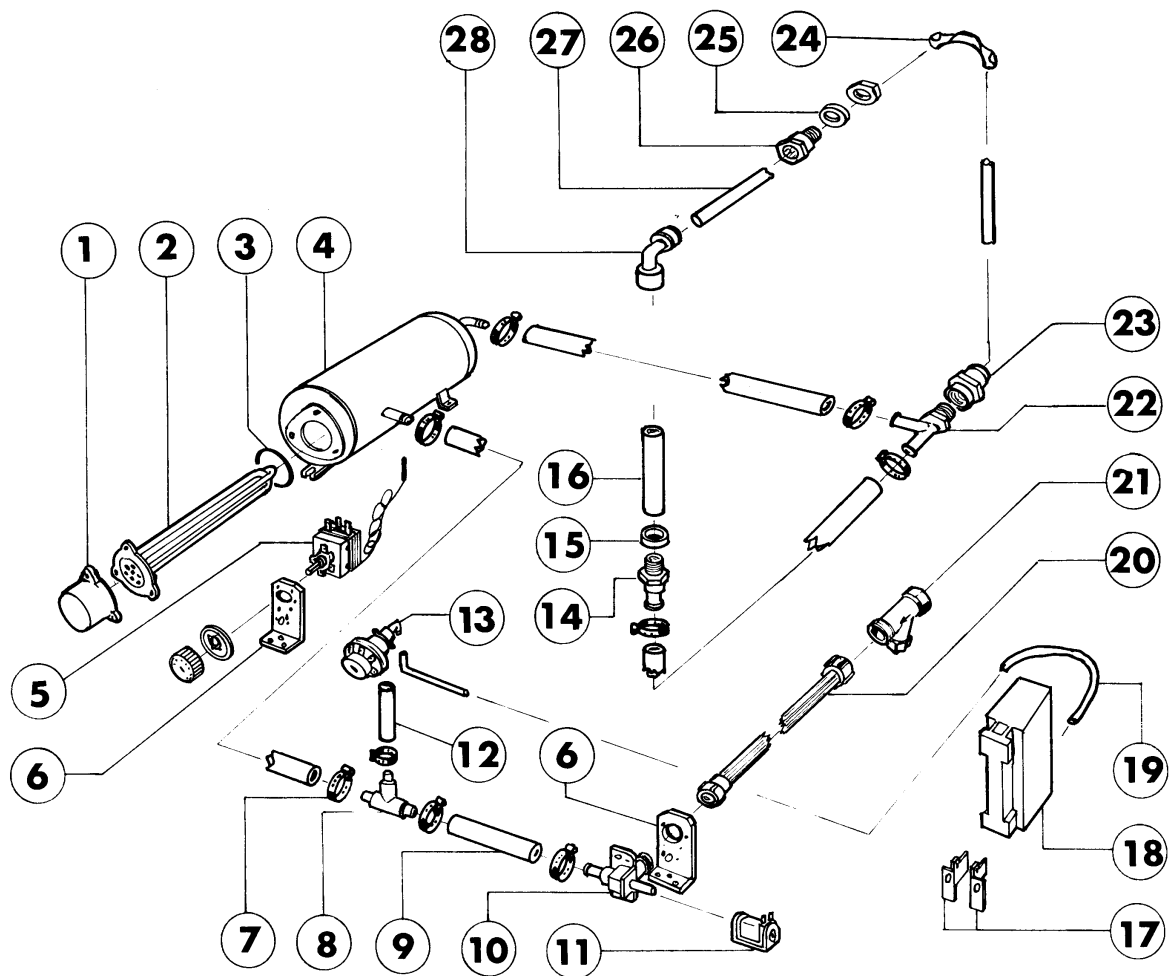
CODE	DESCRIPTION
110226	HEAT. ELEMENT 3000W 230/400V
130604	PRESSURE SWITCH 80-50 1 LEVEL
160202	ELBOW 2 DIAMETERS
160305	DRAIN OUTLET (160301)
161301	AIR TRAP F2 C34-F45
180102	DRAIN PIPE NUT 1" 1/2 F45-55
180109	LOCK NUT 1 1/2"
180703	OVERFLOW STANDPIPE 215 C34- S
200353	PRESS.SWITCH HOSE B23-10-1-2-C
200410	DRAIN OUTL.WASH.1 1/2"65X47X2
200412	GASKET DRAIN 11/2" 45X33X3
200415	AIR TRAP GASKET -F2 18,5X10X3
200815	O-RING F. HEAT.ELEM.
260701	SCREW 3,5X9,5
270101	HEXAGON LOCK NUT 1/2"
320891	DOOR GUIDE C34
320892	BRACKET
450125	ELASTIC CLAMP D. 10,4X9,8
450514	SEE 450516
460502	GASKET 30X21X2



5 - Wash

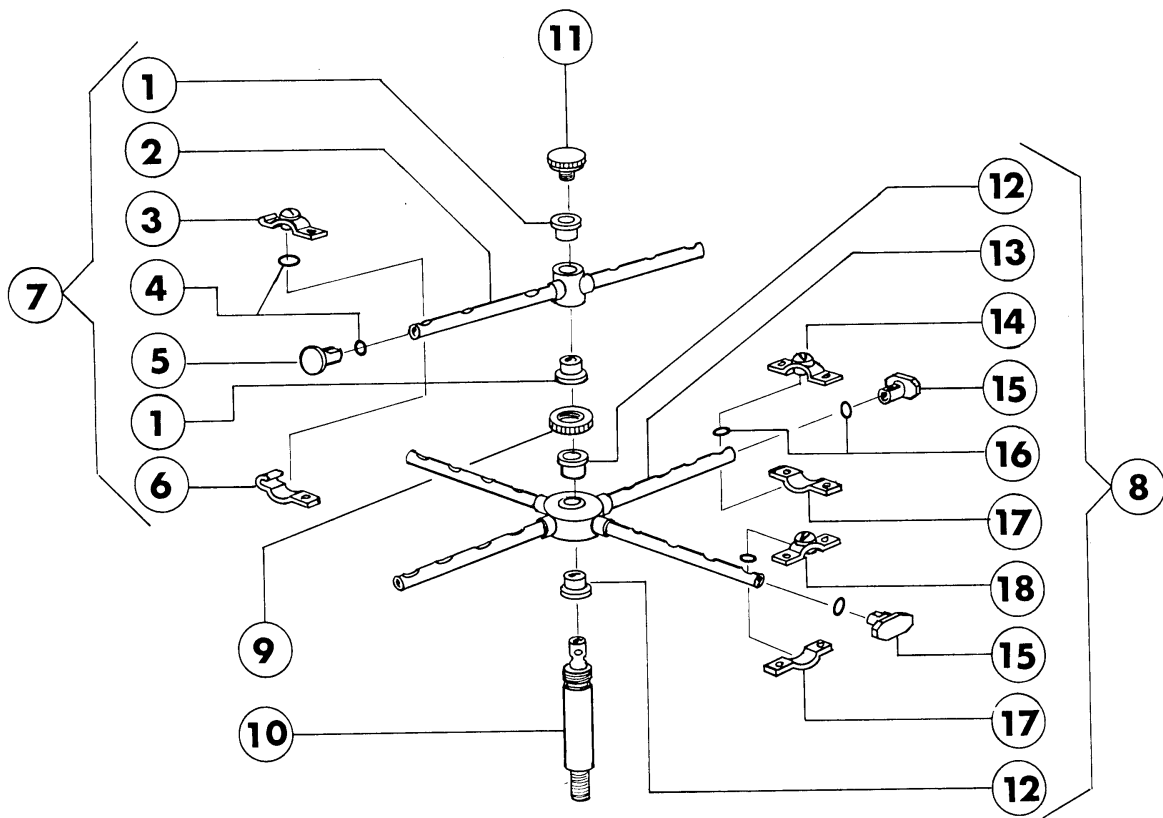
CODE	DESCRIPTION
100361	PUMP HP 2-220/380-50HZ-120404
180204	COUNTERFLANGE D.130 SUCTION N
180207	SUCTION FLANGE C33/34
200315	OUTLET HOSE C34-35
200359	INLET HOSE C34-S
200423	GASKET TUBE 100X100 HOLE48,5X3
200807	O-RING 3,53 X 110,72
210202	RUBBER FOOT GLASSWASHER
330528	STRAINER D.195 SNL C140
380904	FLANGE
420304	UPP/LOW WASH TUBE C34
450119	CLAMP FE ZN. 58-75 H=12,2
450127	CLAMP FE ZN. 68-85 H=12,2
510238	NICKEL-PLATED WASH-RINSE ARM
630114	VOLUTE FI HP2-2,7-3-3,2
630216	FAN HOUSING FIR HP 2-3
630226	POST. PUMP FLANGE HP2 LS23
630306	PUMP FAN IMPELLOR FI HP.2-3
630411	O-RING PUMP FI HP 2-2,7
630501	SEAL FOR PUMP HP 2-3-3,2
631618	IMPELLER PUMP F HP2-D.116,5

6 - Rinse assembly



6 - Rinse assembly

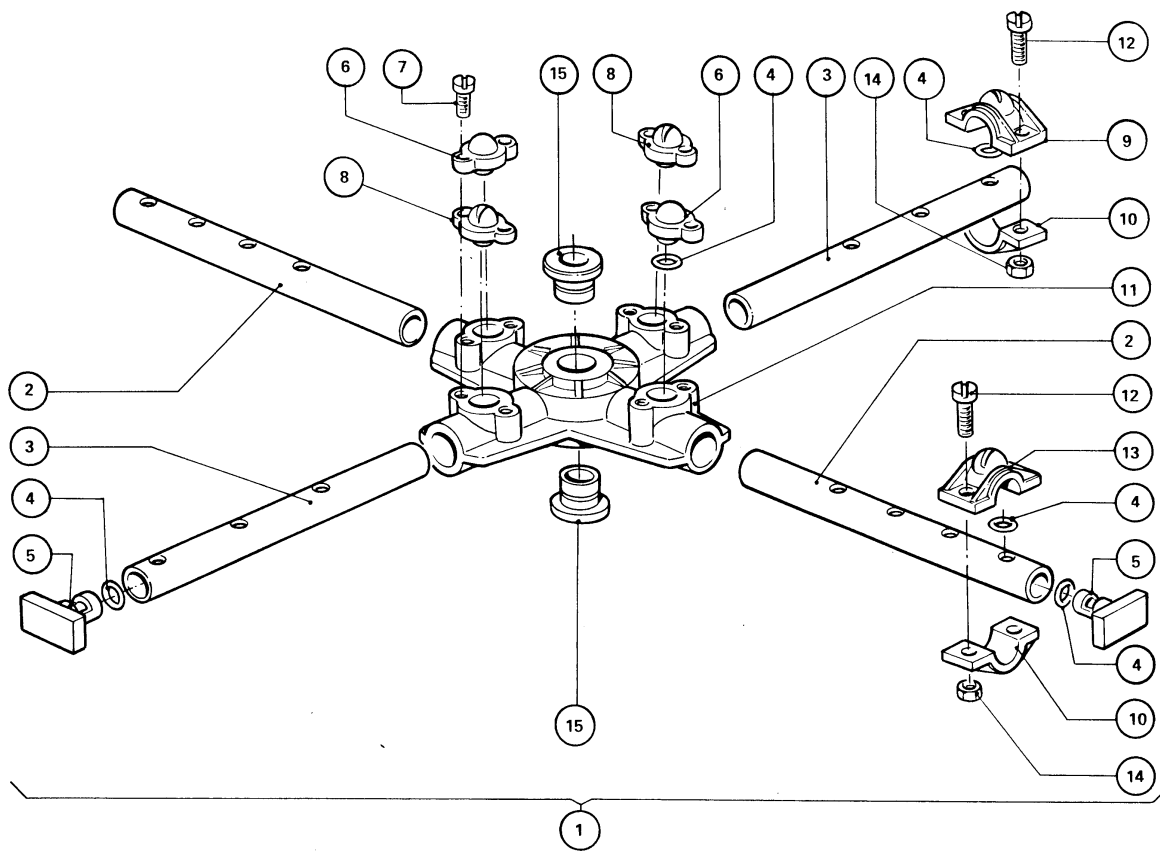
CODE	DESCRIPTION
110349	HEAT.ELEMENT 6000W 230/400V
120145	SOLENOID VALVE 12 LT 1 WAY
120501	THERMOSTAT 30/90°C
150811	CABLE HOLDER NYLON 1/2"
160105	INJECT.INLET HOSE D.6X4
160113	TUBE IN POL. RETIC. 12 EST
161102	ELEMENT COVER MOPL.
180408	TEE-NIPPLE F.INJECT.W/CENTR.RE
190311	TEE RINSE C33/34
190804	RINSE INJECTOR
200113	RUBBER HOSE 12 X 22
200373	HOSE 7X16X190
200715	HOSE WATER INLET 2M STAINL.ST
200815	O-RING F. HEAT.ELEM.
200819	O-RING 17,13X21,65 3068
290216	HOSE CLAMPS STRAIGHT 12X1/2"
290217	HOSE CLAMP ELBOW 12X3/8" TYPE
290407	NIPPLE 3/8"
330307	BOOSTER
330725	STANDARD BRACKET F.SOLEN.VALV
331327	TUBE LOW.RINSE C33-34
350745	RIGHT BRACKET RINSE AID CONTAI
390623	BRACKET
450104	CLAMP FE ZN H=12,5 15-24
460501	GASKET 24X17X2
620120	RINSE AID INJECTOR
620209	INLET WATER FILTER
630969	COIL S4216 220/50HZ



7 - Wash arm

CODE	DESCRIPTION
160718	PLUG F. RINSE ARM F2-C34M
160719	PLUG FOR WASH ARM D.18
170704	RINSE NOZZLE BOTTOM F-B-C33
170911	RINSE JET B23-F2-C34
170917	WASH JET RIGHT C34
170918	WASH JET LEFT C34
180213	FLANGE F.JET LOCKING F2-C34
190614	BUSH CENTRAL CROSS C34 /WASH
190615	BUSH CENTRAL CROSS C34/F2 ALG
200818	O-RING 1,78 X 6,75 X 10,31
200824	O-RING 1,78X12,42X15,98
261004	RETAIN.SCREW WASH-RINSE ARM(26
280409	RETAIN.LOCK NUT CENTR.CROSS C1
340499	SPINDLE CENTR. CROSS C34
420509	WASH ARM
420511	WASH ARM ASSEMBLY C140
430307	RINSE ARM
430308	RINSE ARM ASSEMBLY C34 - C140

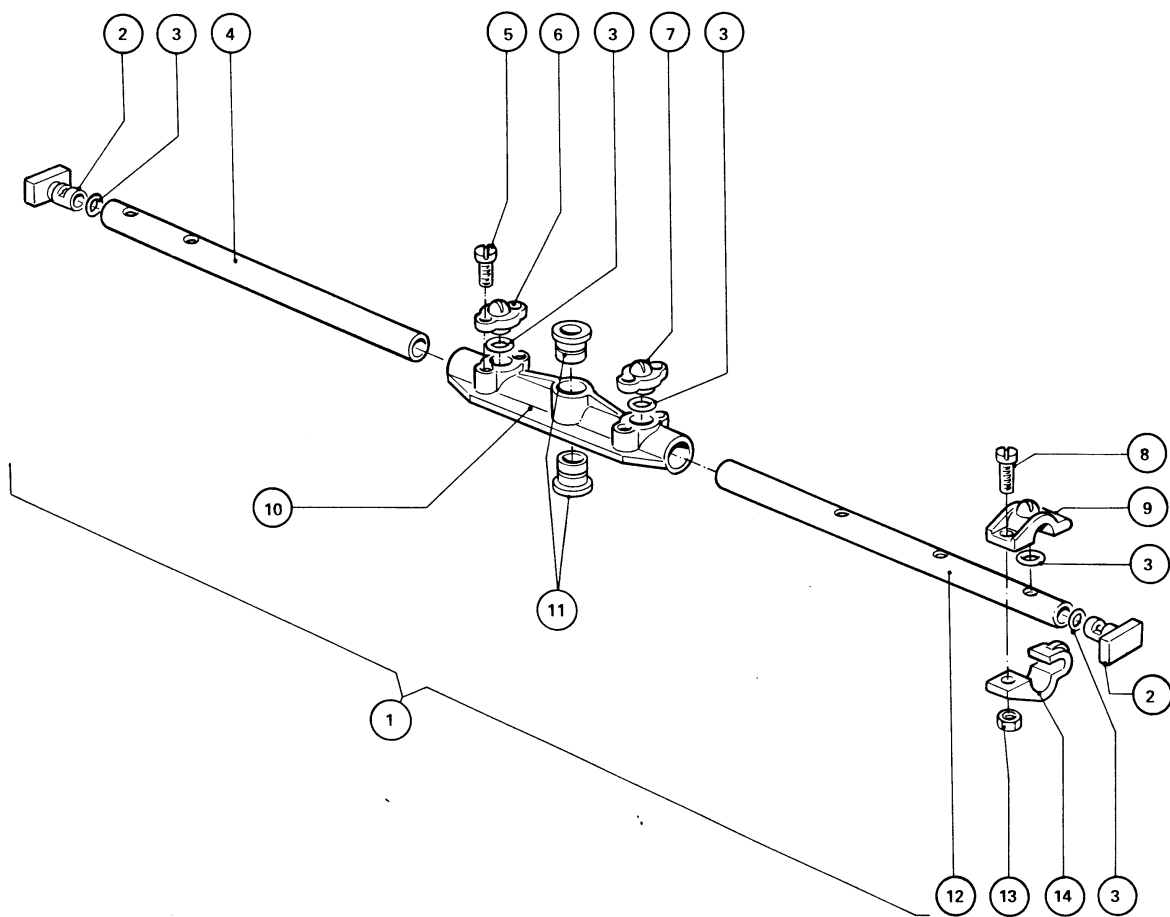
8 - Wash arm



8 - Wash arm

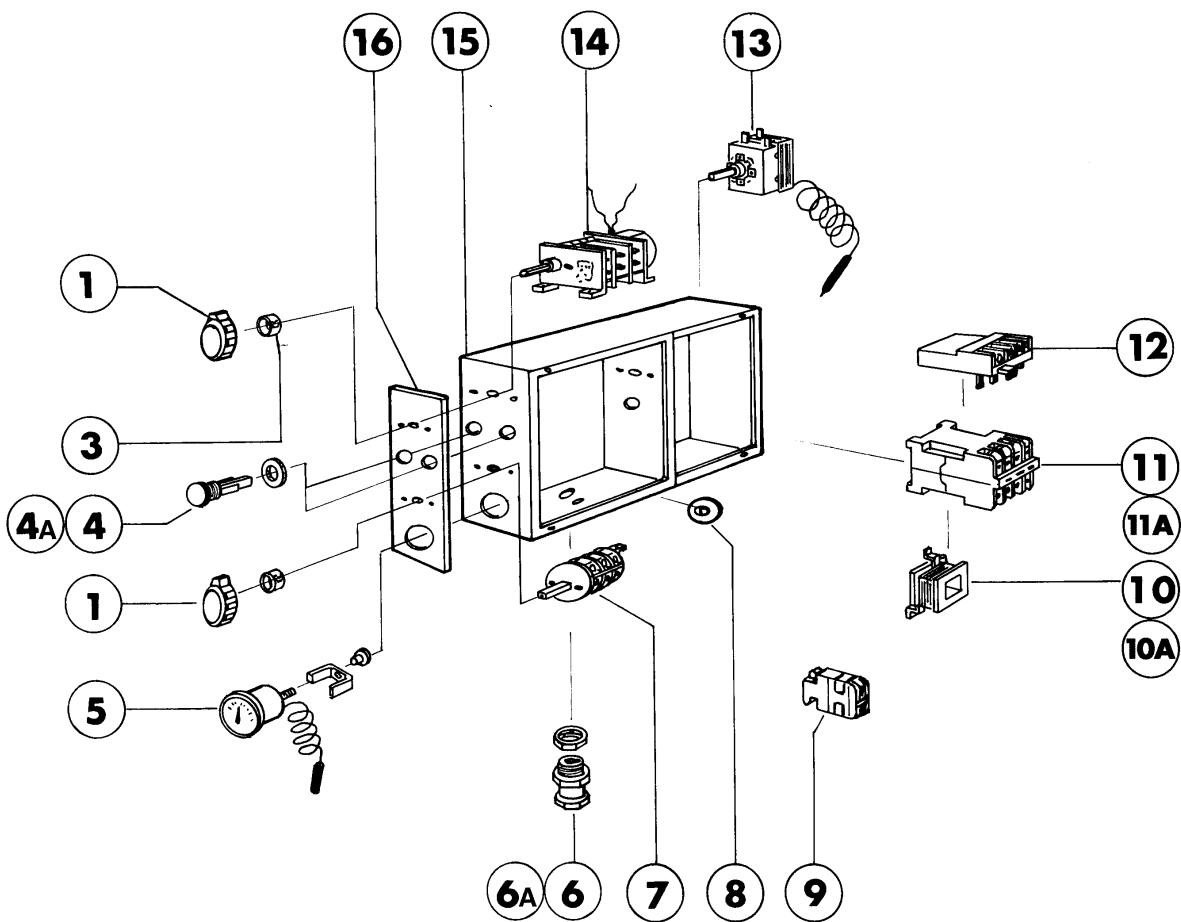
CODE	DESCRIPTION
160719	PLUG FOR WASH ARM D.18
170917	WASH JET RIGHT C34
170918	WASH JET LEFT C34
170927	WASH JET F2-C-GRAY
170928	IDLE JET F2-C-GRAY
180213	FLANGE F.JET LOCKING F2-C34
190621	BUSHING CENTR.CROSS C34
191027	CENTRAL CROSS C34-140
200824	O-RING 1,78X12,42X15,98
260207	STAINL.ST TCP SCREW4X25 A2 UNI
260226	STAINL.ST TCP SCREW 4X12 A2 UN
260402	STAINLESS STEEL NUT D4 UNI 55
331359	WASHING TUBE
331360	WASHING TUBE
420511	WASH ARM ASSEMBLY C140

9 - Wash arm



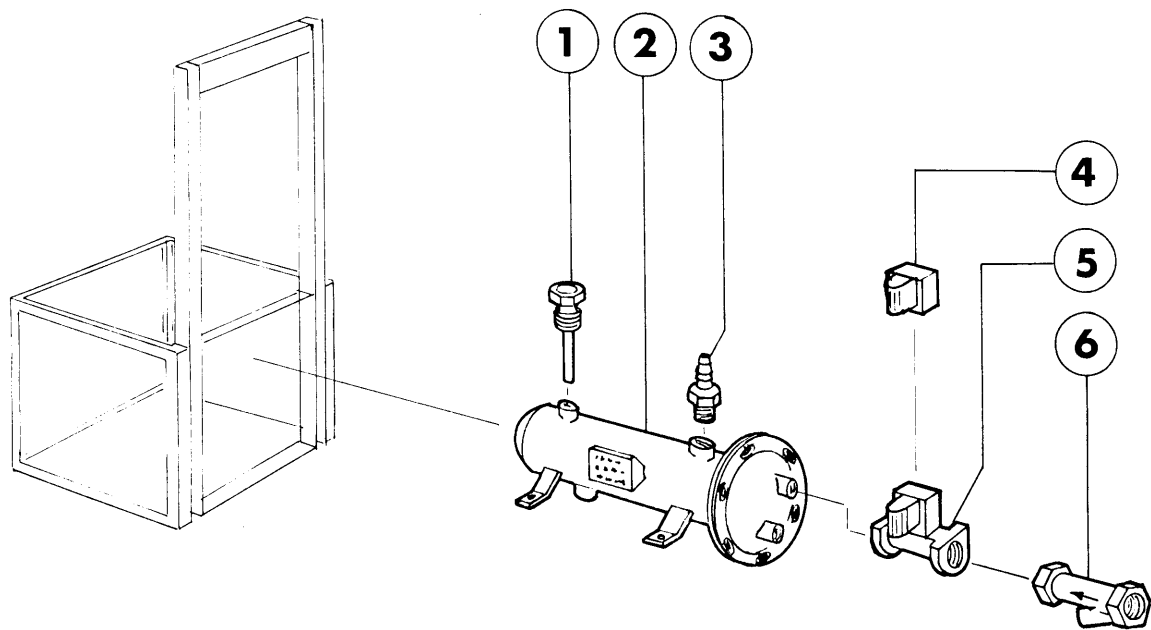
9 - Wash arm

CODE	DESCRIPTION
160718	PLUG F. RINSE ARM F2-C34M
170704	RINSE NOZZLE BOTTOM F-B-C33
170911	RINSE JET B23-F2-C34
170929	RINSE JET F2-C-GRAY
170930	IDLE JET F2-C-GRAY
190617	BUSH
191030	CENTRAL CROSS RINSE C34-140
200818	O-RING 1,78 X 6,75 X 10,31
260207	STAINL.ST TCP SCREW4X25 A2 UNI
260226	STAINL.ST TCP SCREW 4X12 A2 UN
260402	STAINLESS STEEL NUT D4 UNI 55
331361	TUBE RINSE
331362	TUBE RINSE
430308	RINSE ARM ASSEMBLY C34 - C140



10 - Control Box

CODE	DESCRIPTION
120208	TIMER P25 3CAM 216"
120434	CONTACTOR 9A 220V 50HZ
120435	CONTACTOR 17A 220V 50HZ
120501	THERMOSTAT 30/90°C
120712	2-POLES SWITCH 16AMP
120824	OVERLOAD RELAY 4/6 A
130120	RED LIGHT 220V C34
130121	GREEN LIGHT 220V C34
150202	BRACKET
150805	CABLE HOLDER 18X22X1
150812	CABLE HOLDER 3/4" D.16-20 WITH
150813	CABLE HOLDER 1"
180111	BLACK KNOB
321528	BOX FOR CONTROL PANEL
440817	SNAP RING LSCB/1853/17/00
450905	CAPIL.THERMOMETER D.52 1,5M
460188	LABEL
630954	COIL 9-12A 220V X1
630956	COIL 16A 220V



11 - Steam version

CODE	DESCRIPTION
120138	SOLE.N.VALVE STEAM 220V(120167)
290410	NIPPLE 1/2"
310601	STRAINERS JU 1/2" MOD.45
330312	STEAM BOILER 6000 KCAL/H
450508	-GUAINA TERM.RAME
630949	COIL 1"-3/4" 220V L149